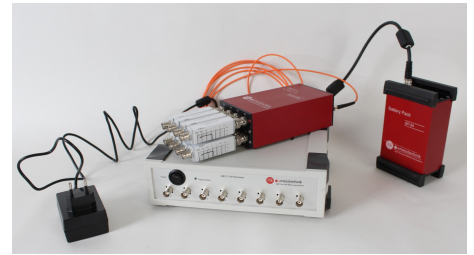


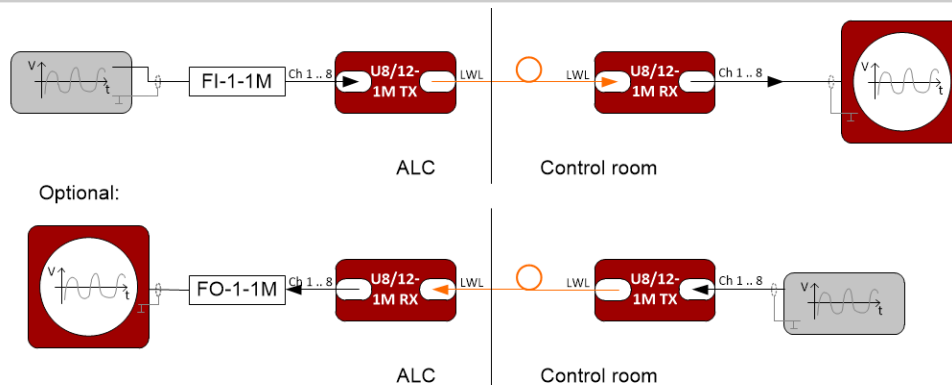
Datasheet

Field of application and characteristics

The **U8/12-1M** system can be used for the optical transmission of 1 to 8 different analog voltage signals from the ALC to the CR. It consists of a battery supplied, shielded transmitter and a table top receiver connected to each other with an optical fiber. It can also be used to transmit analog signals over long distances or to handle ground potential problems. With the optical transmission, the shielded case and external filter, the system is well equipped for EMI and EME tests.



Application



Technical data

Channels:	1 to 8 (8 is standard)
Resolution:	12Bit (10Bit eff.)
Frequency range:	DC ... 1MHz
Input:	+/-15V; BNC, (8 separate external input BNC-filters), same GND potential
Input impedance:	1MΩ; approx. 10pF
Output:	+/-15V (1:1); 10mA; BNC short circuit protection (short time)
Output impedance:	approx. 50Ω
Sampling rate:	10MS/s at each channel
Power supply:	7 NiMH cells with 4 Ah; ~6h; five-poled charge plug
Case dimensions:	transmitter: approx. 85mm x 65mm x 185mm; aluminum case receiver: approx. 220mm x 160mm x 110mm; table top case
Weight:	transmitter approx. 1200g
Misc.:	external battery pack (6h test time extension) included
Options:	shielded metal housing receiver (can then be used inside ALC) to transfer signals into the ALC (stimulate DUT) BNC output filters for shielded receiver (mandatory if link is used to stimulate)

Optical fiber

Connector / Type: FSMA / simplex-multimode fiber 62,5/125μm

Sales Partner:



ABSOLUTE EMC Lic.
Covering sales in North America
United States, Mexico, & Canada

absolute-emc.com
Phone: 703-774-7505
info@absolute-emc.com