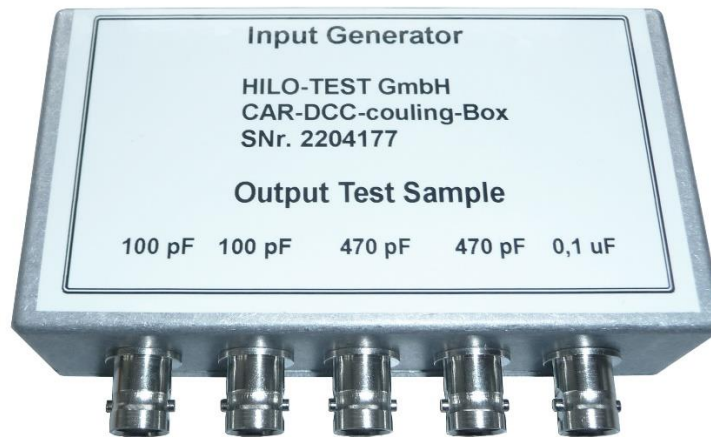


DCC Coupling Box



According to
ISO 7637-3:2016

General:

In accordance with the pulse verification requirements given in 4.6 of ISO 7637-3:2016 test pulses generated by automotive transient generators need to be verified both under no-load (open circuit verification) and loaded conditions with specified loads.

The values of the coupling capacitors is specified and are equal to the generator's internal source impedance defined for the corresponding test pulse. The CAR-DCC-Box is a capacitor box containing all capacitor values required to verify CAR pulse according to international standards and manufacturer requirements.

Operation:

The CAR-DCC-Box verification box is plugged into the outputs of the transient generator. The required capacitor value for coupling of the test sample is selecting by the matching BNC connectors.

The waveform across the load resistor is best measured by a 100:1 voltage probe with sufficient bandwidth and voltage capability. Hilo-Test recommends a bandwidth of 20MHz minimum and a voltage measuring capability of 1000V.

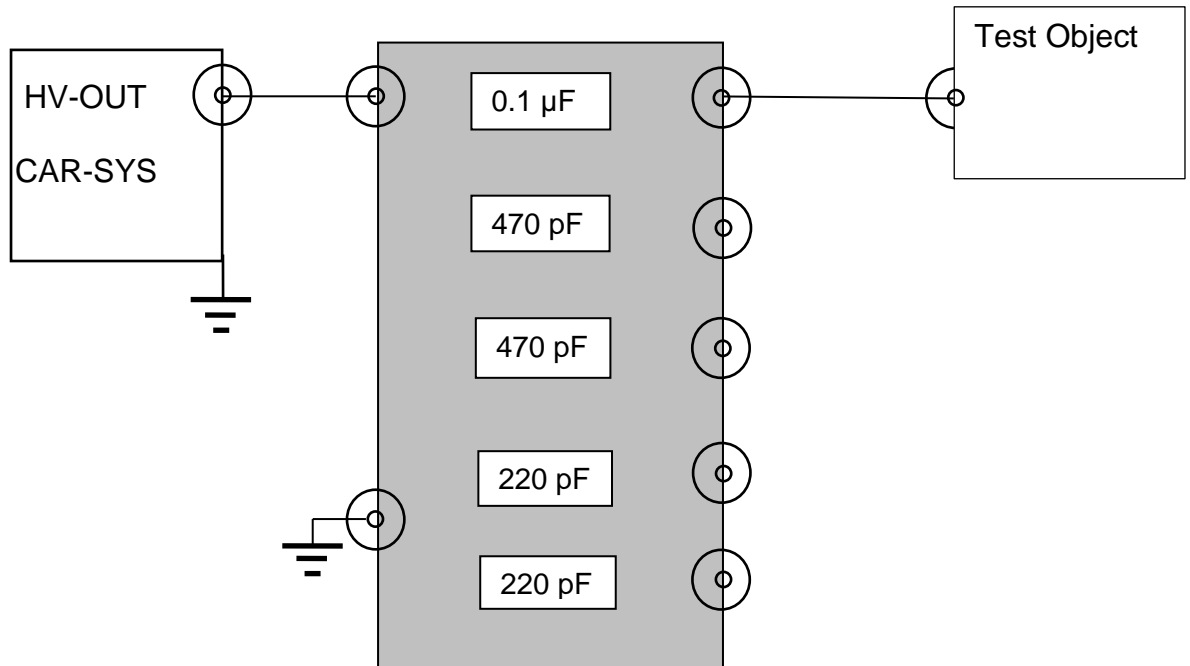
Sales Partner:



ABSOLUTE EMC Llc.
Covering sales in North America
United States, Mexico, & Canada

absolute-emc.com
Phone:703-774-7505
info@absolute-emc.com

Schematic



Technical specification	CAR-DCC-Box
According to Standards	ISO 7637-3:2016
Built-in capacitor values, selectable	0.1µF / 470pF / 470pF / 100pF / 100pF
Capacitor tolerance	±10%
Max. voltage	2000 V
Connectors	1x Fischer Burst / 5x BNC lab connectors
Fits to all Hilo-Test automotive CAR generators	

Sales Partner:



ABSOLUTE EMC Lic.
Covering sales in North America
United States, Mexico, & Canada

absolute-emc.com
Phone:703-774-7505
info@absolute-emc.com