

MGA ISS-19

Coupling transformer

DO-160 Section 19

- Fully automatic tests in conjunction with the MGA 1033 Magnetic Field Generator / - Analyzer
- Magnetic field and electric field sensitivity tests with one unit



Suitable as an accessory for the magnetic field generator MGA 1033!

Overview

Fully automatic tests in conjunction with the MGA 1033 Magnetic Field Generator / - Analyzer.

Magnetic field and electric field sensitivity tests with one unit.

Key facts

- Connection cable included in the scope of delivery
- Recommended as accessory for the magnetic field generator / analyzer MGA 1033!

Technical data I

MGA ISS-19

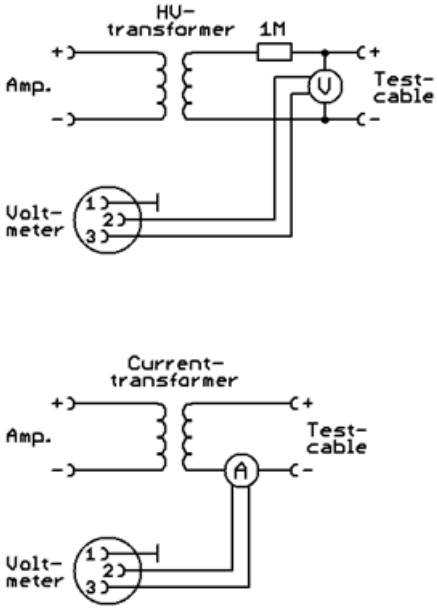
19.3.1	20 A @ 400 Hz
19.3.2	120 Am – 0,8 Am / 350 Hz – 32 kHz (Test length 3 m)
19.3.3	5400 Vm - 135 Vm / 350 Hz – 32 kHz (Test length 3 m)

Alternating current	230 VAC / 50 Hz
Dimensions (L x W x H)	183,5 x 111 x 300 mm
Weight	appr. 6,5 kg

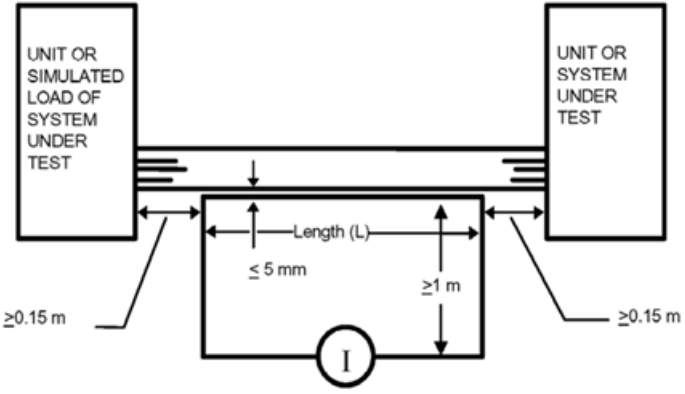
MGA ISS-19

Coupling transformer

Technical data II: Block diagram



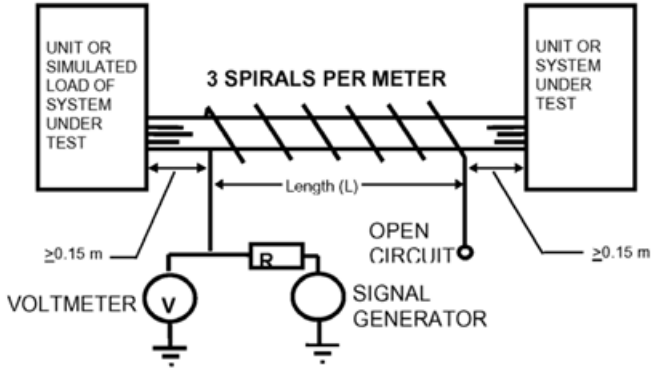
Technical data III: Audio Frequency Magnetic Field Susceptibility Test Setup



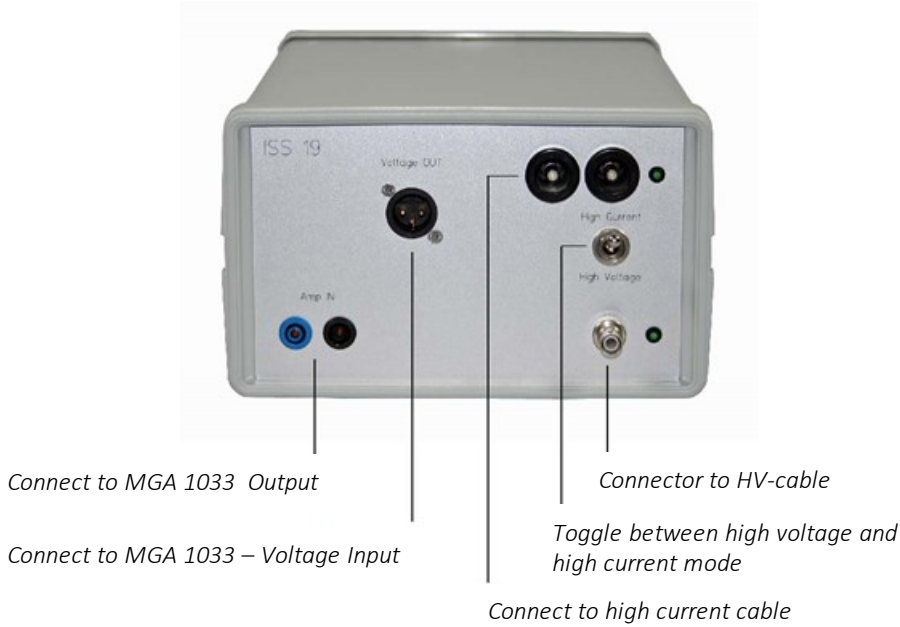
MGA ISS-19

Coupling transformer

Technical data IV: Audio Frequency Electric Field Susceptibility Test Setup



Technical data V: Connectors



All information regarding appearance and technical data correspond to the current state of development at the time of release of this data sheet. We reserve the right to make technical changes. 232103