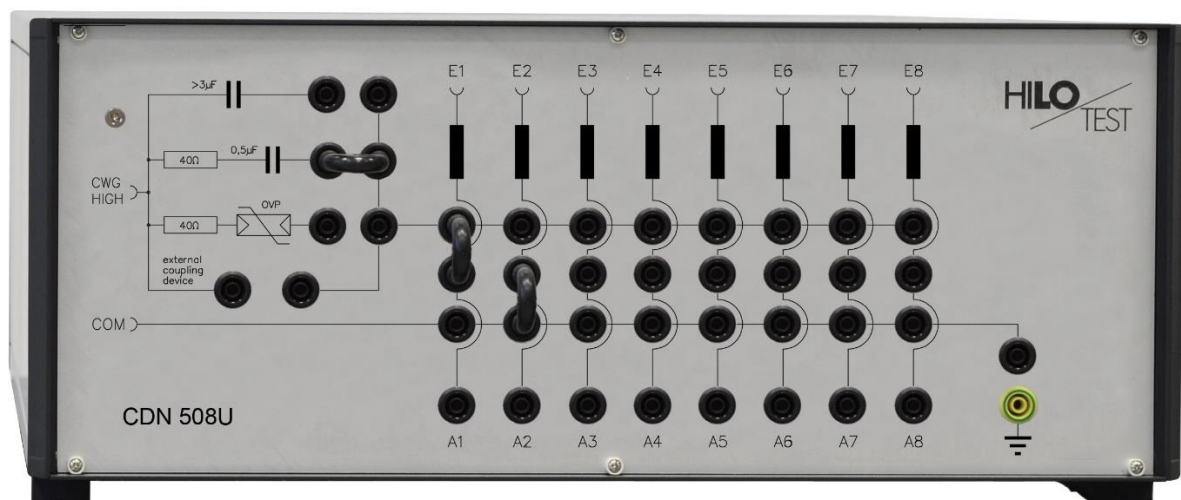


Coupling-/Decoupling Network CDN 504/ 508 U - unsymmetrical

- Unshielded unsymmetrical interconnection lines
- Rated voltage 250VAC / 350VDC
- Surge: 5.0 kV, 1.2/50 μ s
- Surge: 5.0 kV, 10/700 μ s
- Ringwave: 5.0 kV, 100kHz
- Coupling Impedance, selectable



According to

IEC 61000-4-5

IEC 61000-4-12

Designed for applying the impulse output voltage of the Combination wave/ Ring wave generator to interconnection lines of the equipment under test, acc. to IEC 61000-4-5, Fig9/ IEC 61000-4-12, Fig. 8.

The coupling/decoupling network CDN 504/ 508 U essentially consists of a current compensated decoupling inductor, L1 – L4/L8, and a set of coupling impedances to be inserted in the coupling path.

Sales Partner:

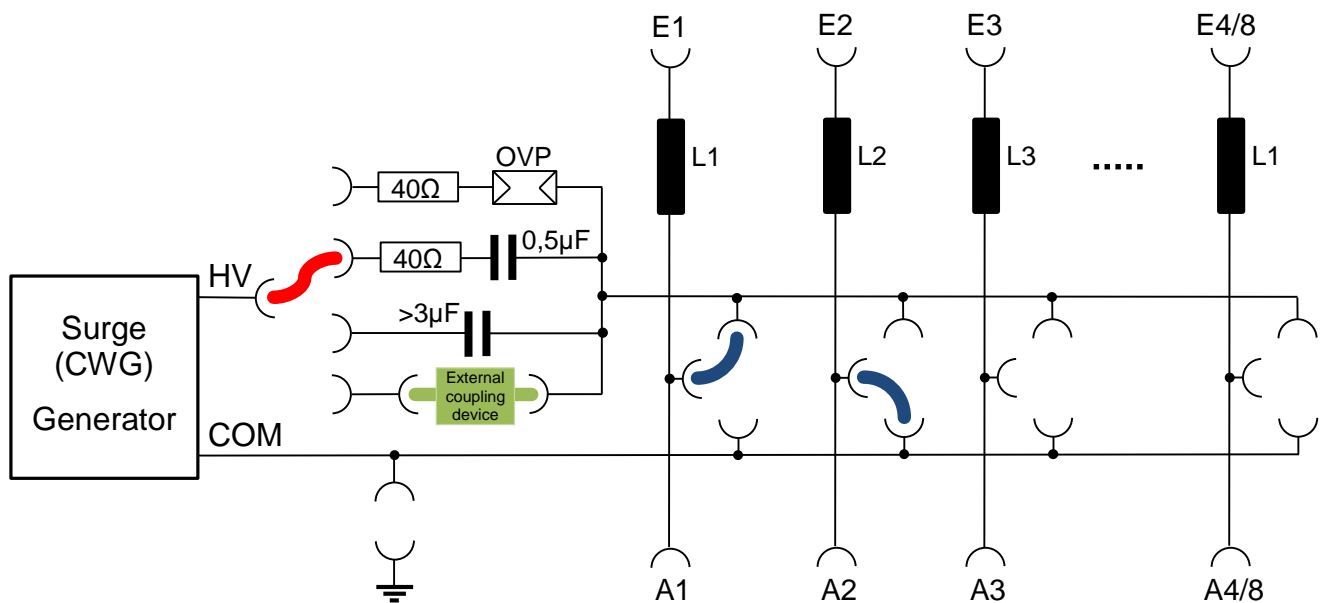


ABSOLUTE EMC Llc.
Covering sales in North America
United States, Mexico, & Canada

absolute-emc.com
Phone:703-774-7505
info@absolute-emc.com

Page 1 of 3
www.hilo-test.de

For surge coupling according to EN / IEC61000-4-5 coupling impedances $40\Omega + 0.5\mu\text{F}$ and $40\Omega + \text{OVP}$ are available. A capacity of $>3\mu\text{F}$ is available for coupling the ring wave signal according to EN / IEC 61000-4-12. A slot to connect your own external coupling impedance is also available.



A coupling impedance is activated by inserting the corresponding bridge.
 The coupling is set by inserting the coupling bridges.
 Here in the picture as an example EA1 -> EA2.
 A bridge to connect the COM connection of the generator with GND is also available.

The inputs E1 - E4/8 are decoupled by the inductances L1 - L4/8.
 The test item is connected to outputs A1 - A4/8.

Technical specification:		CDN 504/ 508 U
Rated voltage	250VAC / 350VDC	
Rated current	6A	
Max. test voltage	5.0 kV, 1.2/50µs, 10/700 µs	
Max. test current	2,5 kA, 8/20µs	
Coupling Impedance, selectable:	Surge Coupling acc. IEC 61000-4-5 Fig. 9	40Ω + 0,5µF
		40Ω + OVP
	Ringwave Coupling acc. IEC 61000-4-12 Fig. 8	>3 µF
Decoupling inductors, current compensated	L1 – L4	20 mH
Dimensions: 19"-cabinet W * H * D	450*180*360mm ³	
Weight	9.5 kg	

Accessories		CDN 504/ 508 U
1 HV-IN connecting cable with 4 mmØ connectors, 1 GND-connecting cable with 4 mmØ connectors, connecting plugs 19 mm.		