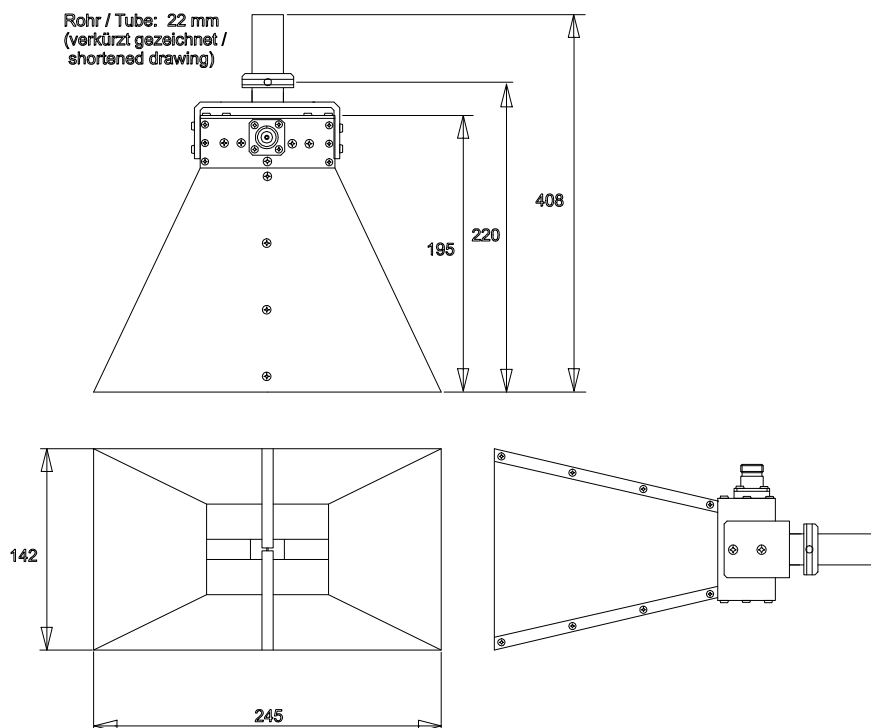


Doppelsteg Breitband Hornantenne Double Ridged Broadband Horn



Beschreibung:

Linear polarisierte Doppelsteg Breitband Hornantenne in Aluminiumausführung für Empfangs- und Sendeanwendungen.

Description:

Linear polarized Double Ridged Broadband Horn Antenna (Aluminium) for Receive and Transmit Applications.

Technische Daten:		Specifications:
Frequenzbereich, nominell:	1 GHz...18 GHz	Nominal Frequency Range:
Nutzbarer Frequenzbereich:	800 MHz ... 18 GHz	Usable Frequency Range:
Isotropgewinn:	6 ... 18 dBi	Isotropic Gain:
Antennenfaktor:	24 ... 50 dB/m	Antenna Factor:
Impedanz, nominell:	50 Ω	Nominal Impedance:
Stehwellenverhältnis SWR typisch:	≈1.5	Standing Wave Ratio SWR typical:
Vor- Rückverhältnis:	> 25 dB (f > 1.3 GHz)	Front to Back Ratio:
Polarisationsentkopplung:	> 25 dB (1 GHz...18 GHz)	Cross Polarisation:
3 dB Öffnungswinkel typ.(E-Ebene):	90°-10°	3 dB Beamwidth typ. (E-Plane):
3 dB Öffnungswinkel typ.(H-Ebene):	60°-10°	3 dB Beamwidth typ. (H-Plane):
Max. Eingangsleistung:	see diagram siehe Diagramm	Max. Input Power:
Anschlußart: N-Buchse		N-Connector female
Halterung: 22 mm Rohr, Rastring		Mount: 22 mm Tube, Indexing Ring
Breite x Länge x Dicke:	245 x 195 (408) x 142 mm	Width x Length x Thickness:
Gewicht:	1.3 kg	Weight:

Frequency [GHz]	Gain(Isotr.) [dBi]	Ant.-Factor [dB/m]
0.8	2.52	25.76
0.9	5.09	24.21
1.0	5.97	24.25
1.1	6.88	24.16
1.2	7.46	24.35
1.3	7.47	25.03
1.4	8.00	25.14
1.5	8.84	24.90
1.6	9.44	24.86
1.7	10.13	24.69
1.8	10.35	24.97
1.9	10.45	25.35
2.0	10.35	25.89
2.1	9.53	27.14
2.2	9.24	27.83
2.3	9.65	27.80
2.4	10.20	27.62
2.5	10.60	27.58
2.6	10.77	27.75
2.7	10.97	27.88
2.8	11.26	27.90
2.9	11.45	28.02
3.0	11.52	28.24
3.1	11.66	28.39
3.2	12.12	28.21
3.3	12.78	27.81
3.4	12.96	27.89
3.5	12.61	28.50
3.6	12.56	28.79
3.7	12.69	28.90
3.8	12.75	29.07
3.9	12.67	29.37
4.0	12.60	29.66
4.1	12.63	29.84
4.2	12.70	29.99
4.3	12.73	30.16
4.4	12.71	30.38
4.5	12.66	30.62
4.6	12.66	30.81
4.7	12.56	31.10
4.8	12.58	31.26
4.9	12.61	31.41
5.0	12.65	31.55
5.2	12.86	31.68
5.4	13.13	31.74

Frequency [GHz]	Gain(Isotr.) [dBi]	Ant.-Factor [dB/m]
5.6	13.15	32.03
5.8	13.09	32.40
6.0	13.00	32.78
6.2	12.83	33.24
6.4	12.35	34.00
6.6	12.14	34.47
6.8	12.33	34.54
7.0	11.65	35.47
7.2	10.84	36.53
7.4	11.01	36.59
7.6	11.46	36.38
7.8	11.44	36.62
8.0	11.26	37.02
8.2	11.82	36.67
8.4	12.02	36.69
8.6	11.71	37.20
8.8	11.59	37.52
9.0	11.89	37.41
9.2	11.74	37.76
9.4	11.59	38.09
9.6	11.94	37.92
9.8	11.86	38.19
10.0	12.09	38.13
10.5	11.66	38.99
11.0	11.52	39.53
11.5	12.23	39.21
12.0	13.18	38.63
12.5	13.86	38.30
13.0	13.60	38.90
13.5	12.75	40.08
14.0	11.68	41.46
14.5	11.55	41.90
15.0	13.55	40.19
15.5	16.15	37.87
16.0	17.24	37.06
16.5	16.28	38.29
17.0	15.08	39.75
17.5	13.45	41.63
18.0	8.87	46.46

Kalibrier-Messunsicherheit (k=2):

 Frequenzbereich $f < 10$ GHz:

+/- 1.0 dB

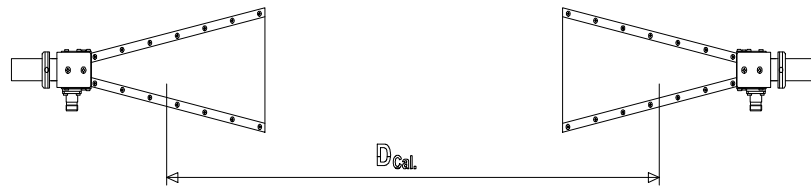
 Frequenzbereich $10 \text{ GHz} < f < 20 \text{ GHz}$

+/- 1.5 dB

Calibration Uncertainty (k=2):

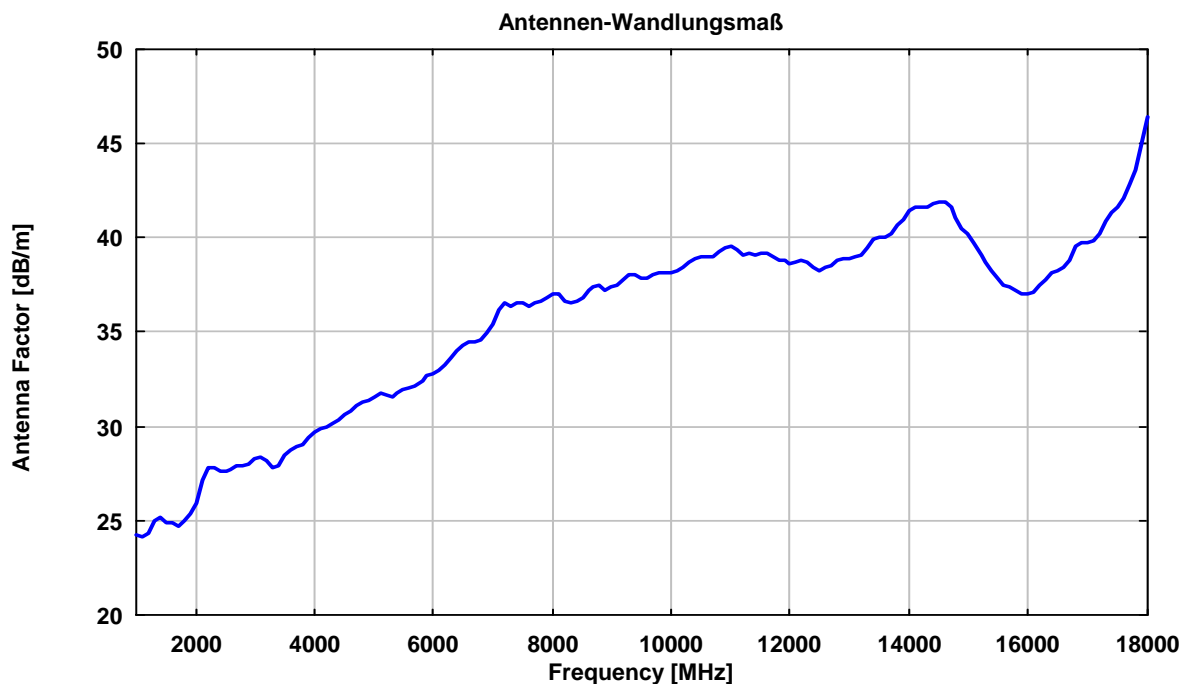
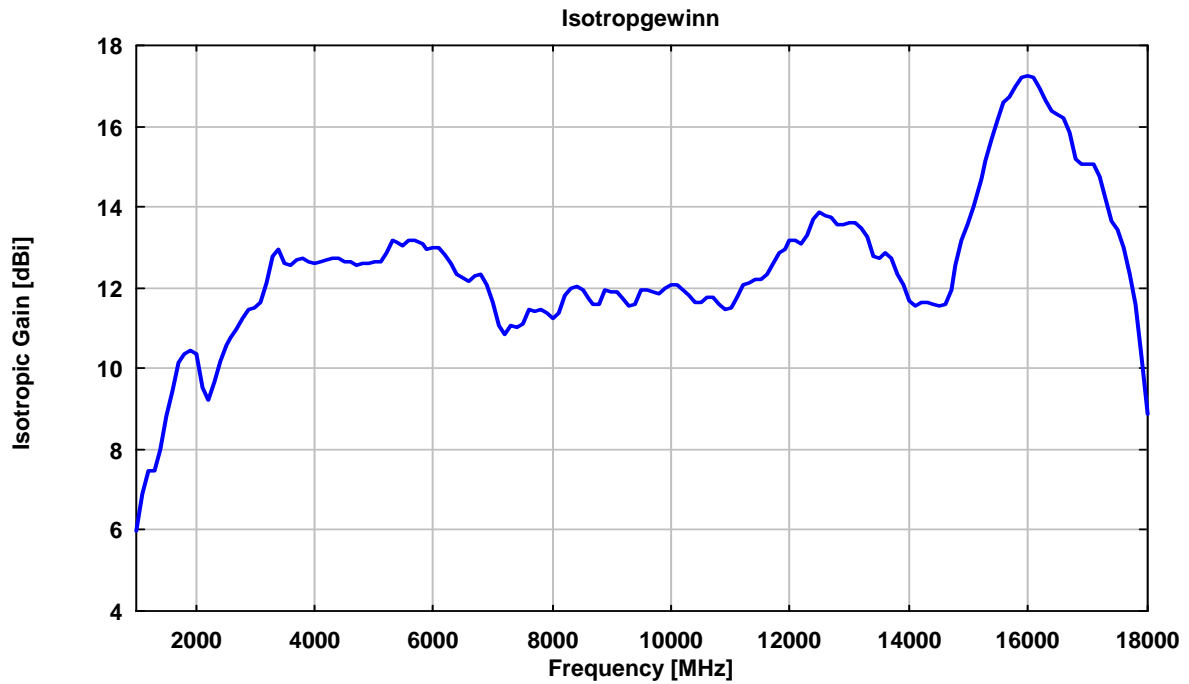
 Frequency range $f < 10 \text{ GHz}$

 Frequency range $10 \text{ GHz} < f < 20 \text{ GHz}$



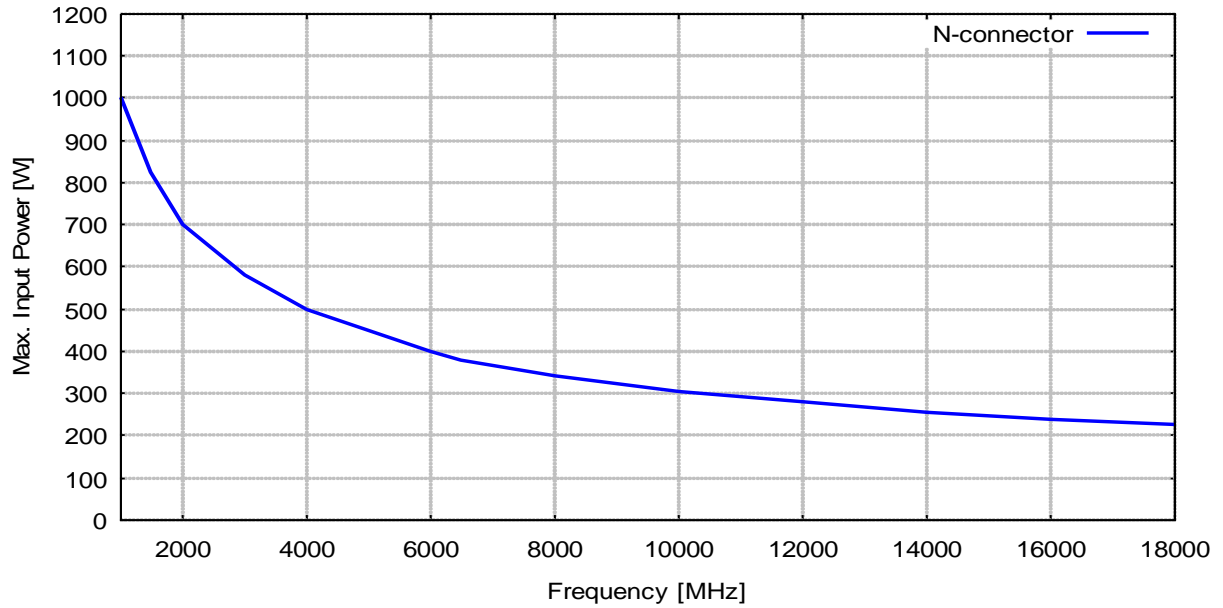
Kalibrierbezugspunkt:
Mitte zwischen Aperturöffnung und N-Buchse
(= 9 cm hinter Vorderkante)

Calibration Reference Point:
Center between N-Connector and Aper-
ture-Plane (=9 cm behind Apt. Plane)





Maximale Eingangsleistung



VSWR-Plot BBHA 9120 D

