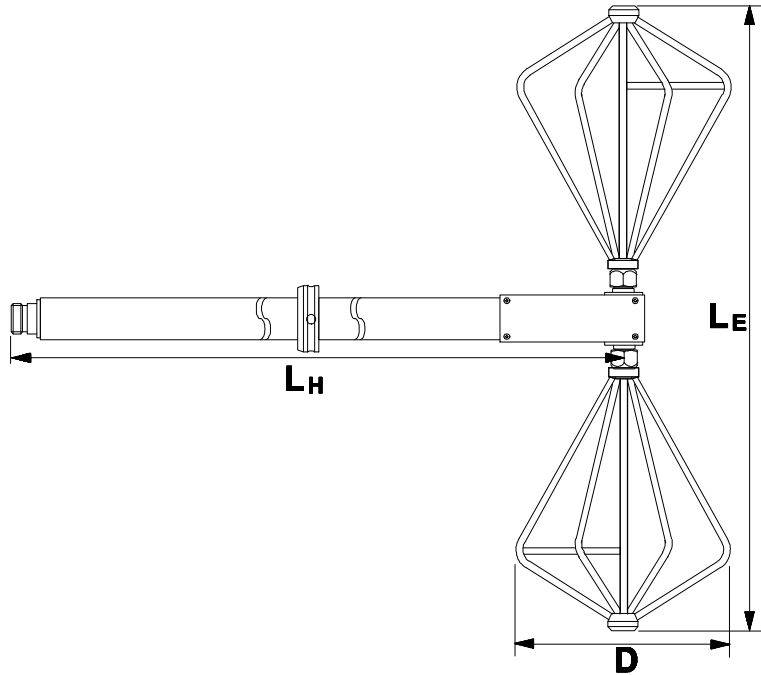


SCHWARZBECK MESS - ELEKTRONIK

An der Klinge 29 D-69250 Schönau Tel.: 06228/1001 Fax.: (49)6228/1003

VHF-UHF Balun / Halter UBAA 9114 mit Bikonuselementen BBVU 9135 VHF-UHF Balun / Holder UBAA 9114 with Biconical Elements BBVU 9135



$L_E = 444 \text{ mm}$, $D = 185 \text{ mm}$

Frequency MHz	Distance m	lambda m	Attenuation dB	Gain(Isotr.) dBi	Gain(Dipole) dBd	Ant.-Factor dB/m
30.00	3.00	10.00	77.10	-32.79	-34.94	32.55
35.00	3.00	8.57	72.40	-29.77	-31.92	30.87
40.00	3.00	7.50	69.85	-27.91	-30.06	30.17
45.00	3.00	6.67	66.50	-25.73	-27.88	29.01
50.00	3.00	6.00	63.80	-23.92	-26.07	28.12
60.00	3.00	5.00	59.26	-20.86	-23.01	26.64
70.00	3.00	4.29	55.70	-18.41	-20.56	25.53
80.00	3.00	3.75	51.90	-15.93	-18.08	24.21
90.00	3.00	3.33	49.70	-14.32	-16.47	23.62
100.00	3.00	3.00	47.20	-12.61	-14.76	22.83
110.00	3.00	2.73	44.85	-11.02	-13.17	22.07
120.00	3.00	2.50	43.30	-9.87	-12.02	21.67
130.00	3.00	2.31	41.50	-8.62	-10.77	21.12
140.00	3.00	2.14	40.30	-7.70	-9.85	20.84
150.00	3.00	2.00	39.00	-6.75	-8.90	20.49
160.00	3.00	1.88	37.70	-5.82	-7.97	20.12
170.00	3.00	1.76	36.60	-5.00	-7.16	19.83
180.00	3.00	1.67	35.90	-4.41	-6.56	19.73
190.00	3.00	1.58	35.44	-3.94	-6.09	19.74
200.00	3.00	1.50	34.60	-3.30	-5.45	19.54
Frequency MHz	Distance m	lambda m	Attenuation dB	Gain(Isotr.) dBi	Gain(Dipole) dBd	Ant.-Factor dB/m

SCHWARZBECK MESS - ELEKTRONIK

An der Klinge 29 D-69250 Schönau Tel.: 06228/1001 Fax.: (49)6228/1003

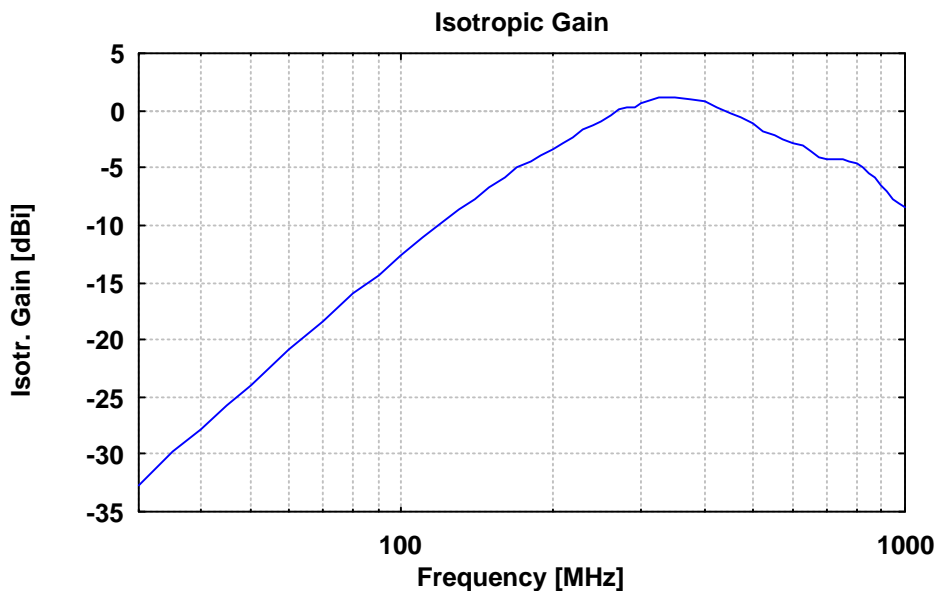
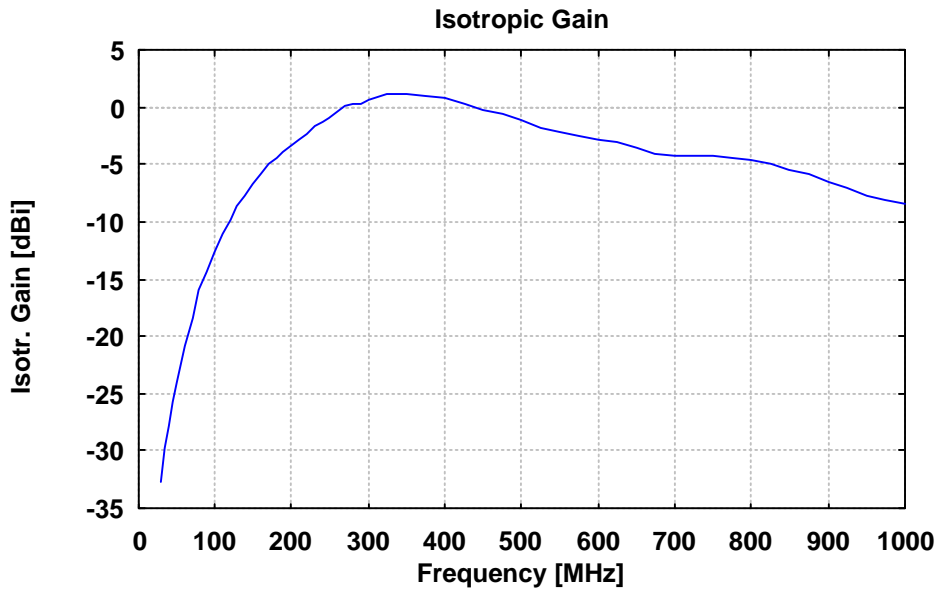
VHF-UHF Balun / Halter UBAA 9114 mit Bikonuselementen BBVU 9135 VHF-UHF Balun / Holder UBAA 9114 with Biconical Elements BBVU 9135

Frequency	Distance	lambda	Attenuation	Gain(Isotr.)	Gain(Dipole)	Ant.-Factor
MHz	m	m	dB	dBi	dBd	dB/m
210.00	3.00	1.43	34.00	-2.79	-4.94	19.45
220.00	3.00	1.36	33.40	-2.28	-4.44	19.35
230.00	3.00	1.30	32.55	-1.67	-3.82	19.12
240.00	3.00	1.25	32.20	-1.31	-3.46	19.13
250.00	3.00	1.20	31.80	-0.93	-3.08	19.11
260.00	3.00	1.15	30.95	-0.33	-2.49	18.85
270.00	3.00	1.11	30.45	0.08	-2.07	18.77
280.00	3.00	1.07	30.50	0.21	-1.94	18.95
290.00	3.00	1.03	30.51	0.36	-1.79	19.11
300.00	3.00	1.00	30.25	0.64	-1.51	19.13
325.00	3.00	0.92	30.00	1.11	-1.04	19.35
350.00	3.00	0.86	30.60	1.13	-1.02	19.97
375.00	3.00	0.80	31.40	1.03	-1.12	20.67
400.00	3.00	0.75	32.50	0.76	-1.39	21.50
425.00	3.00	0.71	33.90	0.32	-1.83	22.46
450.00	3.00	0.67	35.40	-0.18	-2.33	23.46
475.00	3.00	0.63	36.60	-0.54	-2.69	24.30
500.00	3.00	0.60	38.00	-1.02	-3.17	25.22
525.00	3.00	0.57	39.85	-1.73	-3.88	26.36
550.00	3.00	0.55	40.97	-2.09	-4.24	27.12
575.00	3.00	0.52	42.10	-2.46	-4.61	27.88
600.00	3.00	0.50	43.20	-2.83	-4.98	28.61
625.00	3.00	0.48	43.90	-3.00	-5.15	29.14
650.00	3.00	0.46	45.24	-3.50	-5.65	29.98
675.00	3.00	0.44	46.70	-4.07	-6.22	30.87
700.00	3.00	0.43	47.20	-4.16	-6.31	31.28
725.00	3.00	0.41	47.50	-4.16	-6.31	31.58
750.00	3.00	0.40	48.10	-4.31	-6.46	32.03
775.00	3.00	0.39	48.46	-4.35	-6.50	32.35
800.00	3.00	0.38	49.30	-4.63	-6.78	32.91
825.00	3.00	0.36	50.30	-4.99	-7.15	33.54
850.00	3.00	0.35	51.55	-5.49	-7.64	34.30
875.00	3.00	0.34	52.60	-5.89	-8.04	34.95
900.00	3.00	0.33	53.94	-6.44	-8.59	35.74
925.00	3.00	0.32	55.30	-7.00	-9.15	36.54
950.00	3.00	0.32	57.10	-7.78	-9.93	37.56
975.00	3.00	0.31	57.90	-8.07	-10.22	38.07
1000.00	3.00	0.30	58.90	-8.46	-10.61	38.68
Frequency	Distance	lambda	Attenuation	Gain(Isotr.)	Gain(Dipole)	Ant.-Factor
MHz	m	m	dB	dBi	dBd	dB/m

SCHWARZBECK MESS - ELEKTRONIK

An der Klinge 29 D-69250 Schönau Tel.: 06228/1001 Fax.: (49)6228/1003

VHF-UHF Balun / Halter UBAA 9114 mit Bikonuselementen BBVU 9135
VHF-UHF Balun / Holder UBAA 9114 with Biconical Elements BBVU 9135

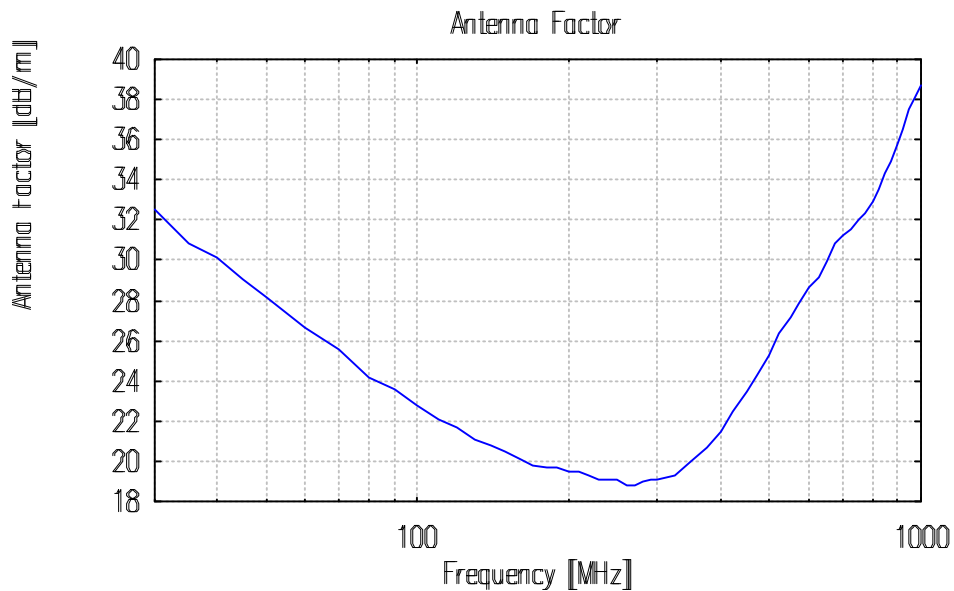
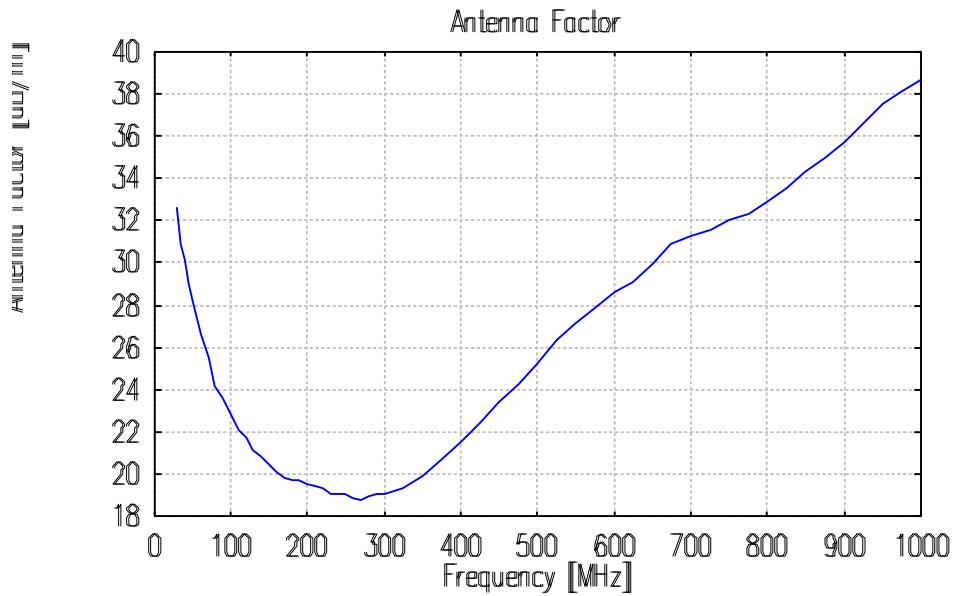


UBAA 9114 / BBVU 9135 Isotropic Gain, LIN and LOG f-Scale

SCHWARZBECK MESS - ELEKTRONIK

An der Klinge 29 D-69250 Schönau Tel.: 06228/1001 Fax.: (49)6228/1003

VHF-UHF Balun / Halter UBAA 9114 mit Bikonuselementen BBVU 9135
VHF-UHF Balun / Holder UBAA 9114 with Biconical Elements BBVU 9135



UBAA 9114 / BBVU 9135 Antenna Factor, LIN & LOG f-Scale, dB(1/m)