

CN 19_4 / CN 19

CN 19_4 Coupling network / CN 19 Current transformer

IEC / EN 61000-4-19

- For tests according to IEC / EC 61000-4-19
- **CN 19_4:** Coupling network for the differential voltage test according to IEC / EC 61000-4-19
- **CN 19:** Current transformers for tests according to IEC / EC 61000-4-19



Figure: CN 19_4

For tests according to IEC / EN 6100-4-19



Figure: CN 19 (front)



CN 19 (back)

Overview

The **CN 19_4** is suitable for differential voltage tests according to IEC / EC 61000-4-19. It is designed for tests in the frequency range from 2 kHz to 150 kHz.

The current transformer **CN 19** is used to supplement tests according to the IEC / EC 61000-4-19 standard and is also suitable for a frequency range from 2 kHz to 150 kHz.

Technical data

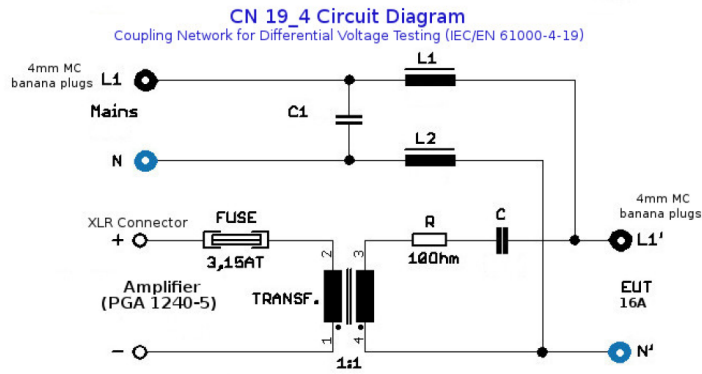
CN 19_4 coupling network	
Frequency range	2 kHz - 150 kHz
Max. current	16 A
Max. Voltage	240 V
Impedance R	10 Ohm ± 30 %
Connection for network and test object	4 mm MC plug
Network and test object	XLR

CN 19 current transformer	
Frequency range	2 kHz - 150 kHz
Max. current	10 Arms
Max. Voltage	30 Vrms
Impedance R	10 Ohm ± 30 %
Connection for network and test object	4 mm MC plug
Connection to power generator	XLR

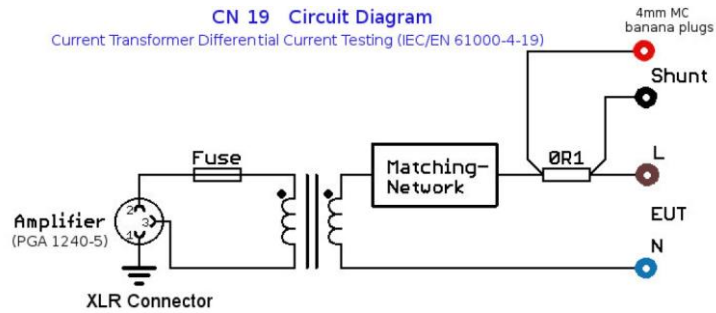
CN 19_4 / CN 19

CN 19_4 Coupling network / CN 19 Current transformer

Technical data: CN 19_4 Coupling network



Technical data: CN 19 current transformer



All information regarding appearance and technical data correspond to the current state of development at the time of release of this data sheet. We reserve the right to make technical changes. 162007