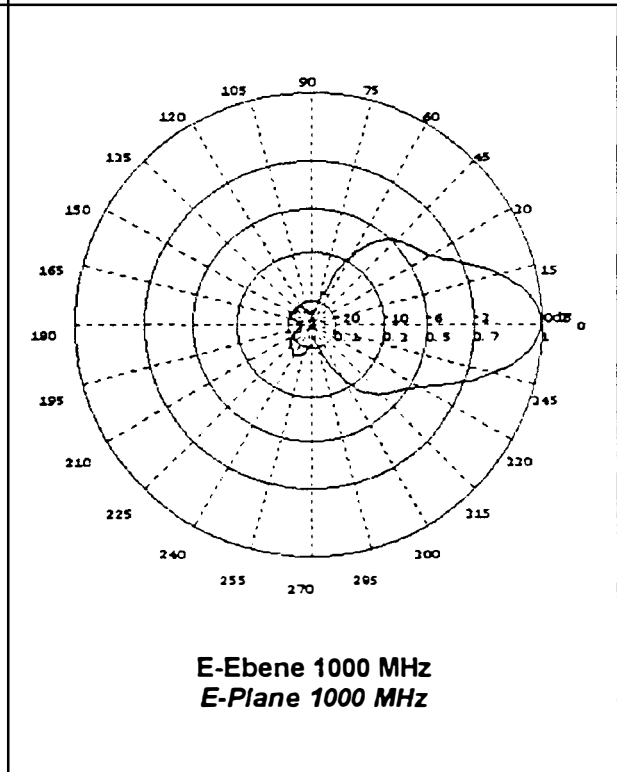
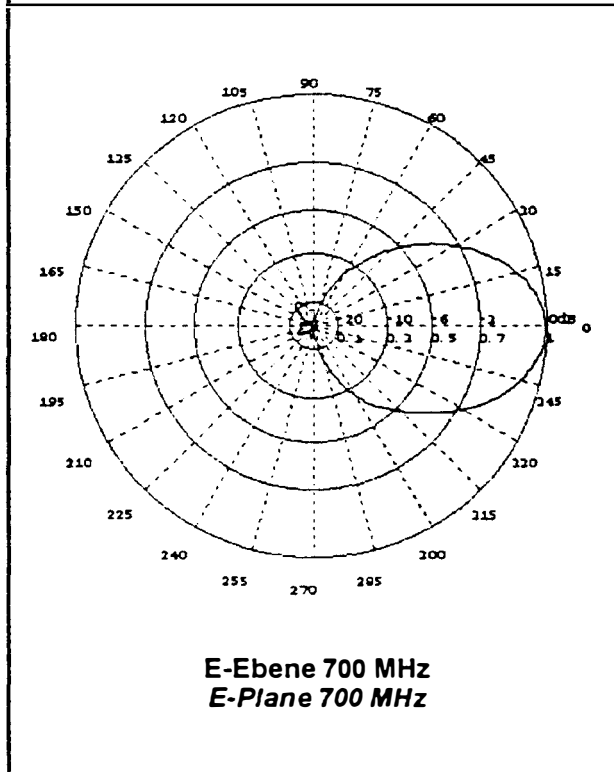
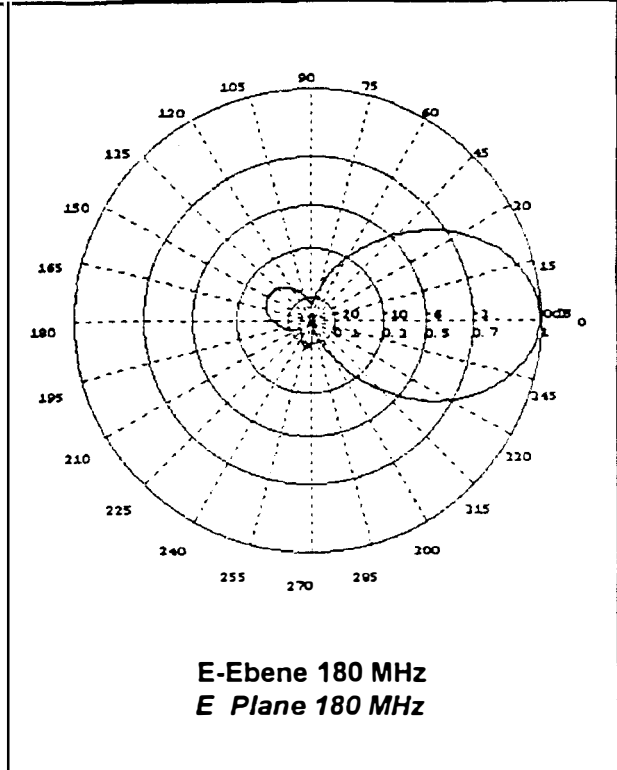
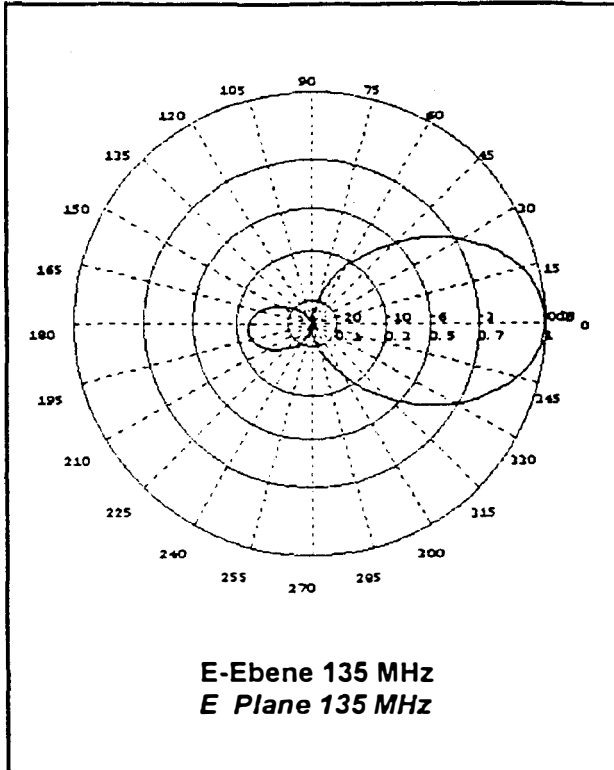


SCHWARZBECK MESS - ELEKTRONIK

An der Klinge 29 D-69250 Schönau Tel.: 06228/1001 Fax.: (49)6228/1003

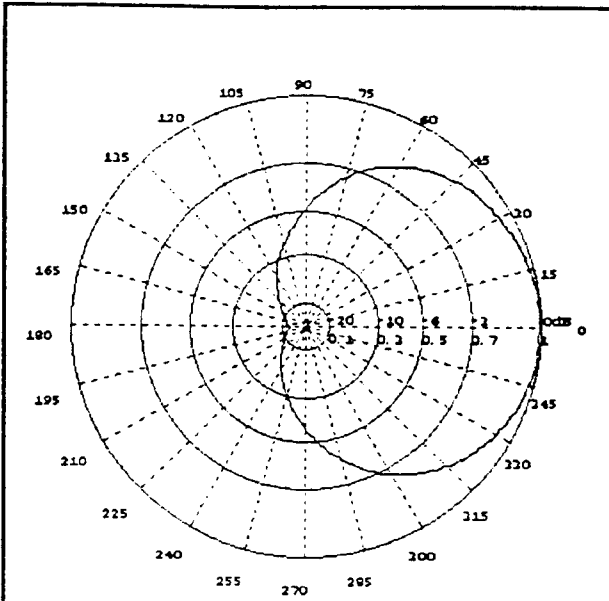
Logarithmisch-Periodische Antenne VULP 9118-C *Logarithmic-Periodic Test Antenna VULP 9118-C* *Radiation Patterns in the E Plane and H Plane*



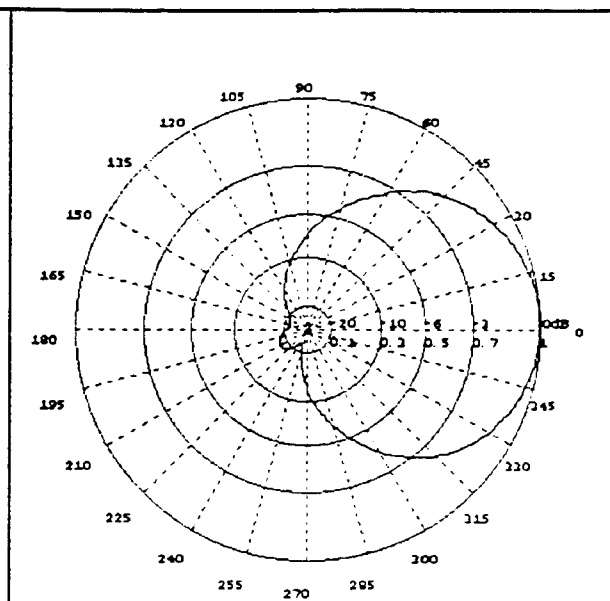
SCHWARZBECK MESS - ELEKTRONIK

An der Klinge 29 D-69250 Schönau Tel.: 06228/1001 Fax.: (49)6228/1003

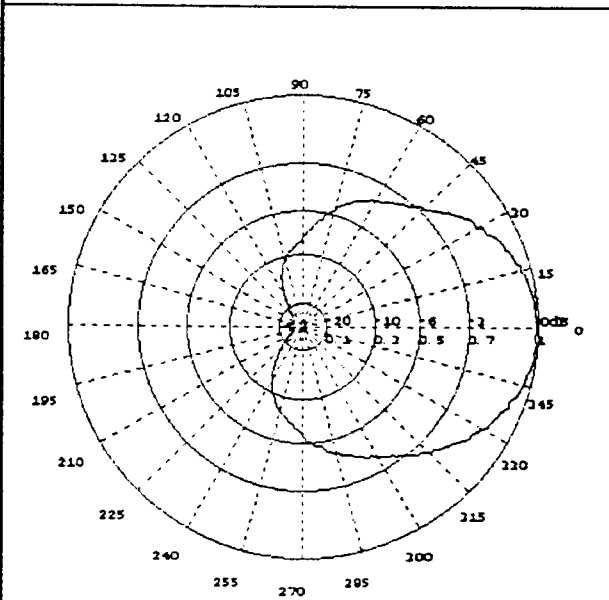
Logarithmisch-Periodische Antenne VULP 9118-C Logarithmic-Periodic Test Antenna VULP 9118-C Radiation Patterns in the E Plane and H Plane



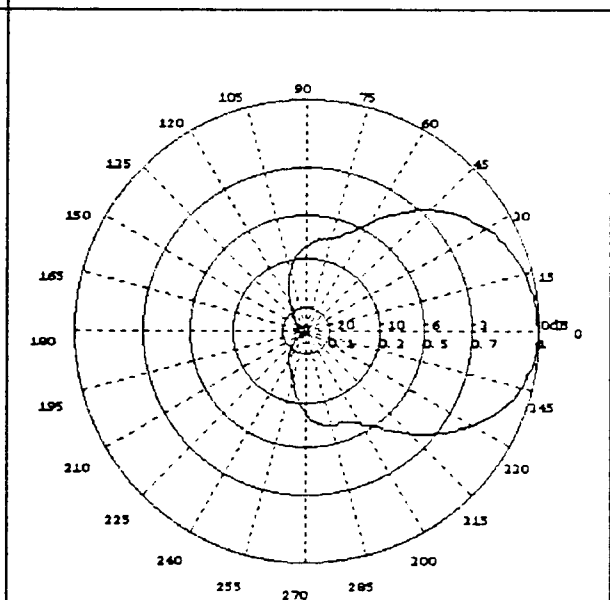
H-Ebene 135 MHz
H Plane 135 MHz



H-Ebene 180 MHz
H Plane 180 MHz



H-Ebene 700 MHz
H-Plane 700 MHz



H-Ebene 1000 MHz
H-Plane 1000 MHz