

## SESD 30 T 1000

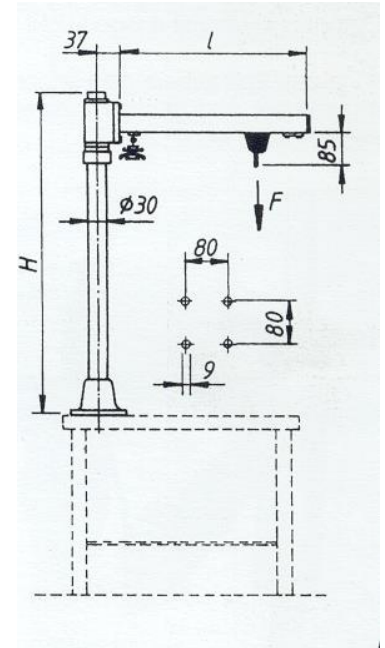
Support arm

### Support arm with balancer for ESD test station

- Support arm with carriage
- 360 degrees pivotable

By optionally mounting a wedge, the carriage moves either to the column or to the end of the support arm.

Typ	L = Length	H = Height	F = max. load capacity
STLW-1000	1.000 mm	1.600 mm	10 kg



Balancer for weight-neutralized suspension

Typ	adjustable load	Rope length
SBAL-1030	1,0 to 3,0 kg	approx. 1,3 m

The rest height of the ESD simulator can be adjusted with a cable clamp.



212007 Subject to technical changes