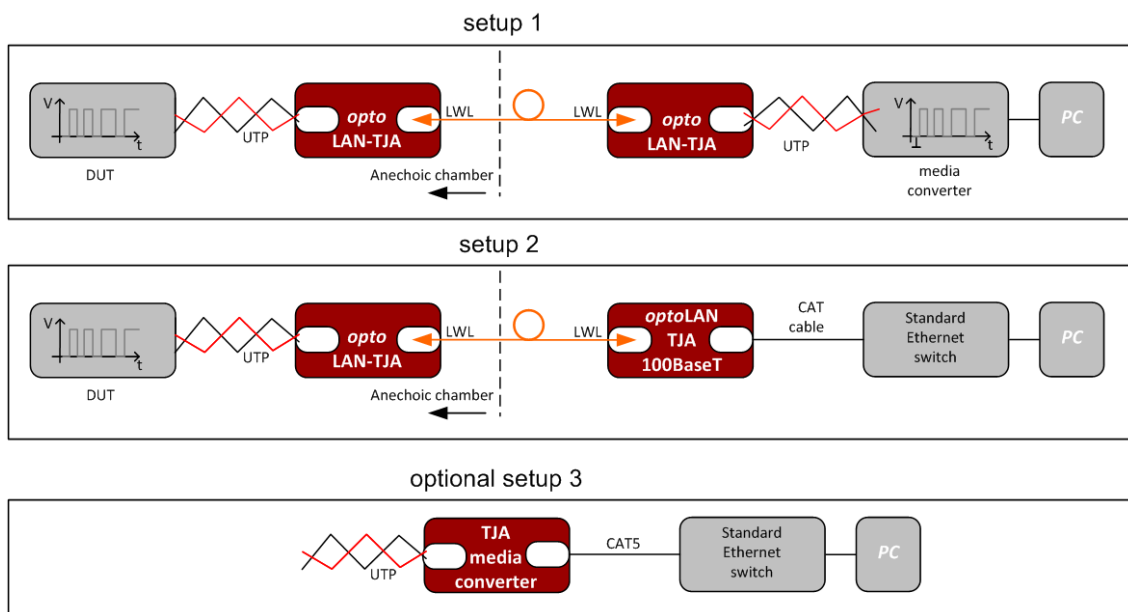


Field of application and characteristics

The **optoLAN-TJA1100** system can be used for the optical transmission of automotive ethernet signals with NXP© TJA1100© chipset (unshielded twisted pair UTP ethernet). The system can be set up with two identical transceivers or one side automotive ethernet and the other 100BaseT. With this setup the link could be used as media converter too. The devices are supplied by internal batteries and connected with an optical fiber. The standard connector is Metz Connect M12 4 pole. With the optical transmission, the shielded case and the high quality connector, the system is well equipped for EMI and EME tests.



Application



Technical data

Channels:	1
Chipset:	NXP© TJA1100©
Connectors:	Metz Connect M12
Data rate:	up to 100Mbit/s (see chipset datasheet)
Power supply:	5 NiMH cells with 4 Ah; >10h; 5-poled charging connector
Case dimensions :	approx. 135mm x 86mm x 65mm Aluminum case with ruggedized protectors
Weight:	approx. 800g
misc:	External battery packs / power supply available on demand

Optical fiber

Connector / type: FSMA / Duplex-Multimode LWL 62.5/125µm

Sales Partner: