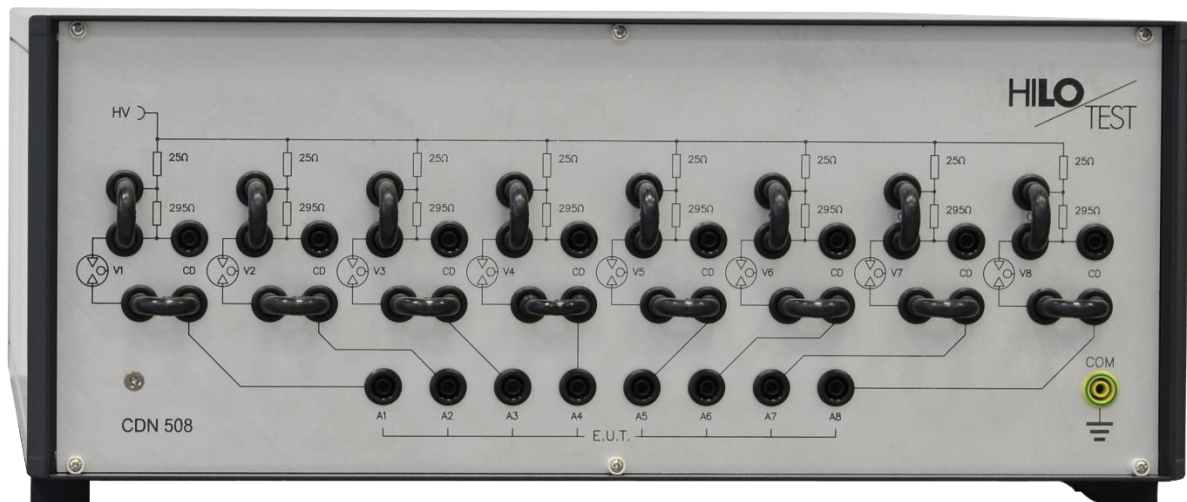


Coupling-/Decoupling Network CDN 504/ 508 symmetrical

- Rated voltage 80V=
- Surge: 5.0 kV, 1.2/50 μ s
- Surge: 5.0 kV, 10/700 μ s
- Coupling Impedance, selectable



According to
IEC 61000-4-5

Designed for applying the impulse output voltage of the Combination Wave Generator to interconnection lines of the equipment under test, acc. to IEC 61000-4-5, Fig10.

The coupling/decoupling network CDN 504 /508 essentially consists of a current compensated decoupling inductor, L1 – L4/L8, and a set of coupling impedances to be inserted in the coupling path.

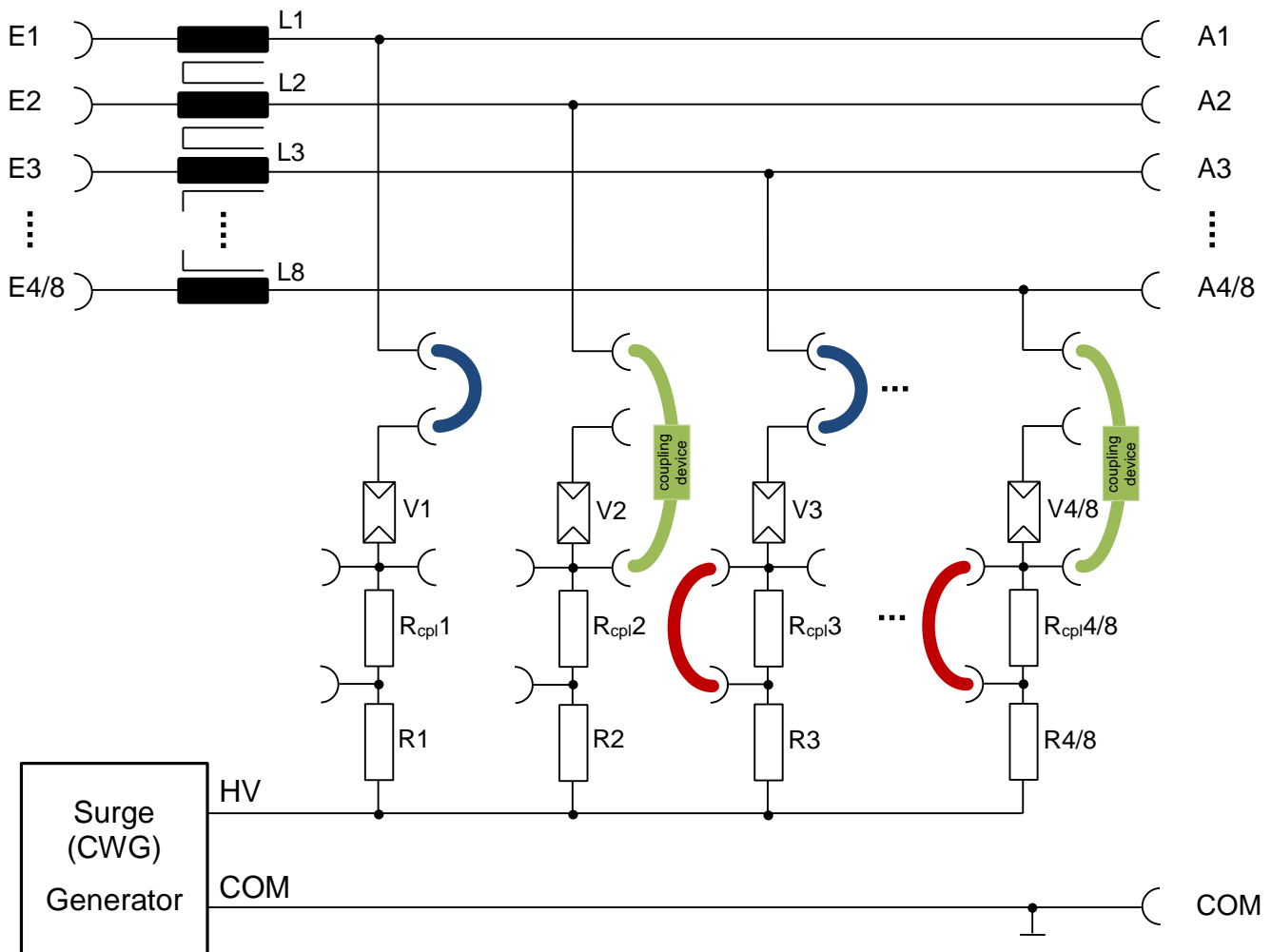
Sales Partner:



ABSOLUTE EMC Llc.
Covering sales in North America
United States, Mexico, & Canada

absolute-emc.com
Phone:703-774-7505
info@absolute-emc.com

Page 1 of 2
www.hilo-test.de



Technical specification:	CDN 504		CDN 508
Rated voltage	80 V=		
Rated current	1A		
Max. test voltage	5.0 kV, 1.2/50µs, 10/700 µs		
Max. test current	2,5 kA, 8/20µs		
Coupling Impedance, selectable:	R1 – R4	25Ω	
	Rcp1 - Rcp4	135Ω	295Ω
	V1 – V4	over-voltage prot. 90V	
Decoupling inductors, current compensated	L1 – L4	20 mH, pair	
Dimensions: 19"-cabinet W * H * D	450*180*360mm ³		
Weight	9.5 kg		

Accessories	CDN 508
1 HV-IN connecting cable with 4 mmØ connectors, 1 GND-connecting cable, yellow/green, connecting plugs 19 mm, connecting plugs 38 mm.	

Sales Partner:



ABSOLUTE EMC Llc.
Covering sales in North America
United States, Mexico, & Canada

absolute-emc.com
Phone: 703-774-7505
info@absolute-emc.com

Page 2 of 2
www.hilo-test.de