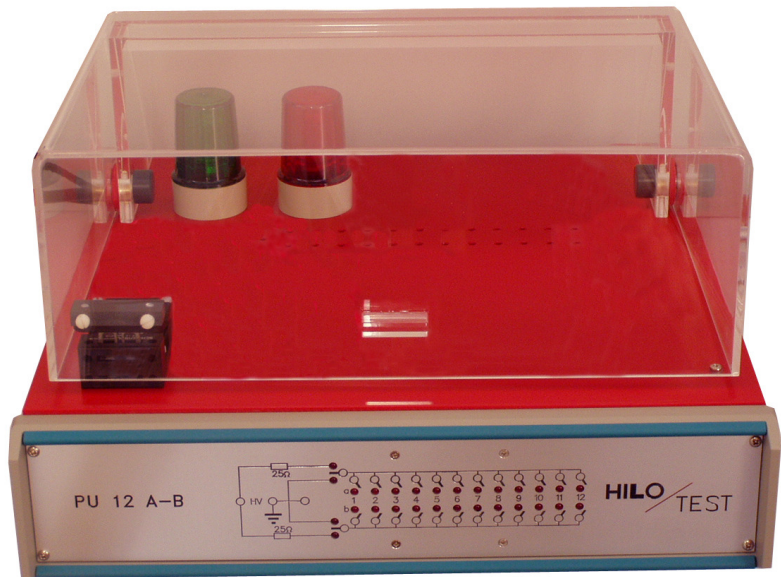


# DUT switching PU

High voltage testing of components

Reduction of placement times

Increased throughput



For high-voltage testing of components, DUTs are available for various pulse generators. The use of these DUTs significantly reduces placement times and significantly increases throughput.

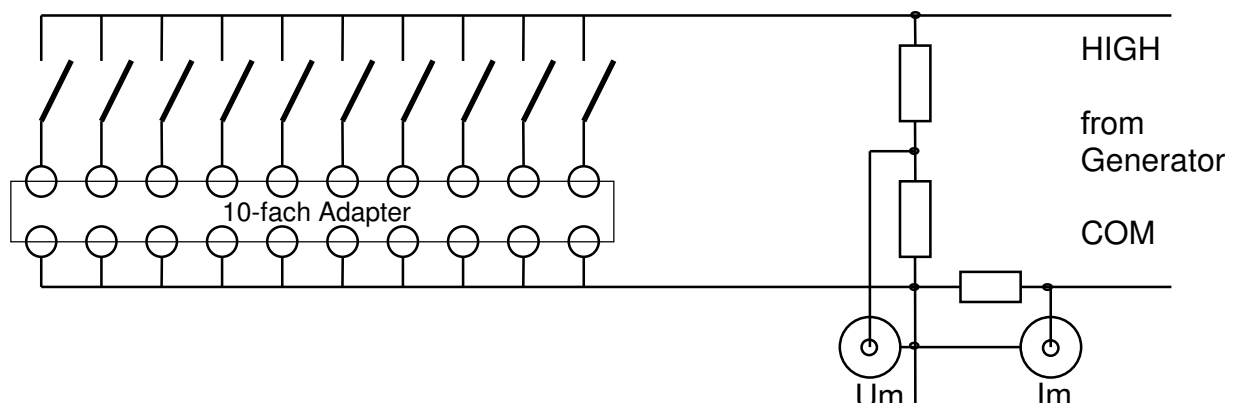
The test samples are contacted via test adapters, which can be refitted during the current test and then quickly replaced.

Direct testing of 8/10/12 or 15 individual candidates or the

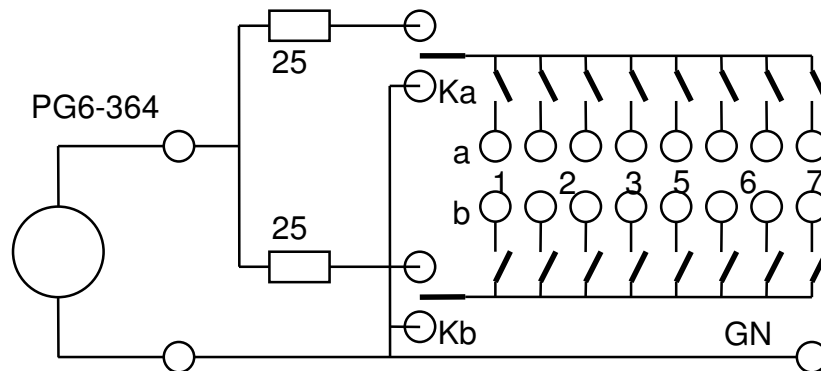
"Differential / common mode" testing of the a / b wires of IT equipment can be realized. The DUT switching unit is controlled by the test generator.

The test specimens are covered by a safety test hood during the test. The connection to the test generator is coaxial on the back of the devices. In this way, the highest level of personal safety for the operator is achieved.

Basic circuit Example:



To monitor the test parameters pulse voltage divider and / or Pulse current measuring resistors are integrated in the DUT Switch



Sales Partner:



**ABSOLUTE EMC** Llc.  
Covering sales in North America  
United States, Mexico, & Canada

absolute-emc.com  
Phone: 703-774-7505  
info@absolute-emc.com