

CAPACITOR CALIBRATION KIT CCK20



General:

The Capacitor Calibration Kit CCK has been designed to measure the pulse output voltage of surge generators PG10-200, PG12-360 and PG20-100.

Sales Partner:



ABSOLUTE EMC LLC.
Covering sales in North America
United States, Mexico, & Canada

absolute-emc.com
Phone: 703-774-7505
info@absolute-emc.com

Page 1 of 2
www.hilo-test.de

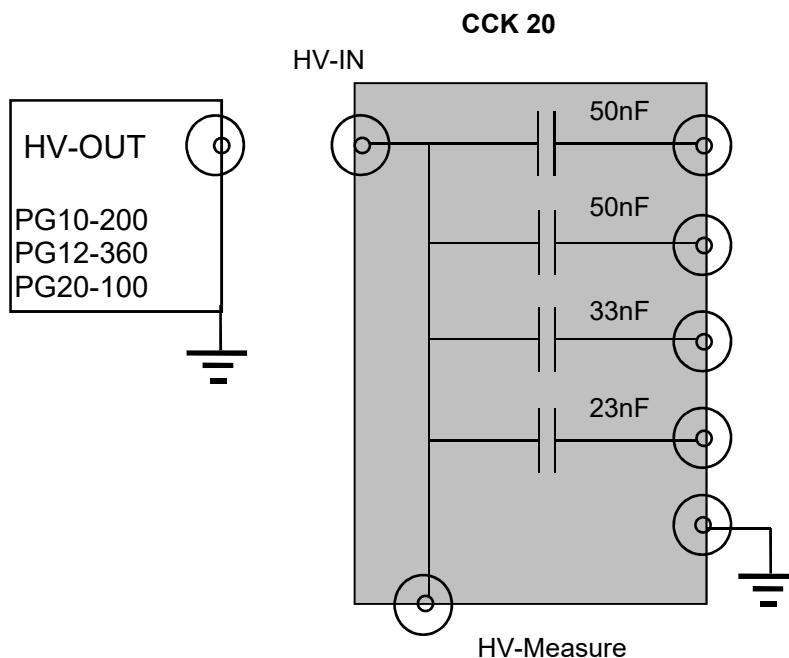
Operation:

The network input is directly connected to the HV output of the surge generator.

The "GND" connection to the network is connected in this constellation on the HV connector and can additional be connected to the grounding screw on the generator.

To achieve the best results, the cable should be kept as short as possible.

The different capacities can be switched between 23nF and 156nF. Parallel connection of the individual capacitors by jumpers produced a total capacity value of 156nF. Other capacitance values (23, 33, 50, 73, 100, 156nF) from the four basic capacities are possible.



Technical specification	CCK 20
Input voltage, wave form 1,2/50 μ s	20 kV max.
Input capacitance Line 1	50 nF
Input capacitance Line 2	50 nF
Input capacitance Line 3	33 nF
Input capacitance Line 4	23 nF
Tolerance	\pm 3%

Sales Partner:



ABSOLUTE EMC Lic.
Covering sales in North America
United States, Mexico, & Canada

absolute-emc.com
Phone:703-774-7505
info@absolute-emc.com

Page 2 of 2
www.hilo-test.de