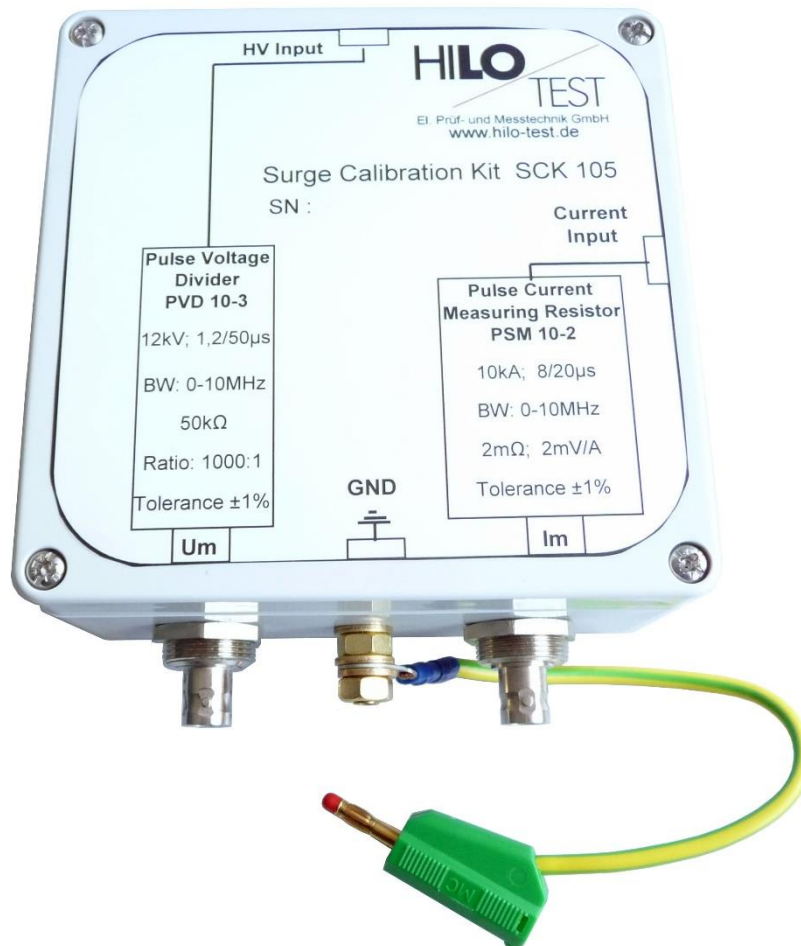


# SURGE CALIBRATION KIT

## SCK 105 inBox



Sales Partner:



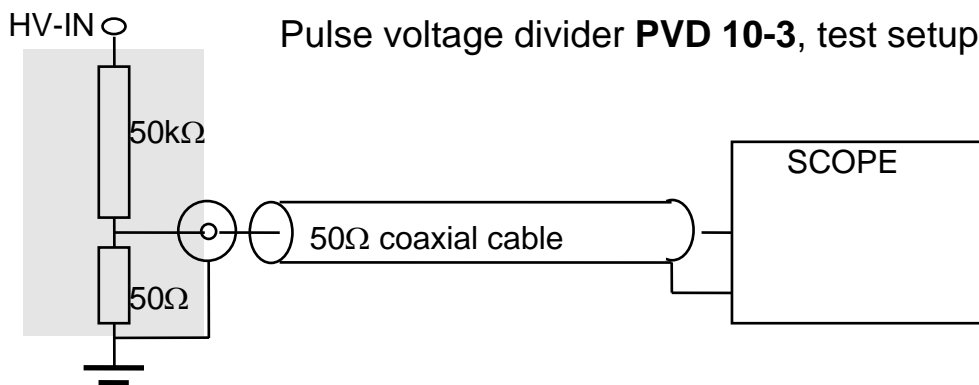
**ABSOLUTE EMC** LLC.  
Covering sales in North America  
United States, Mexico, & Canada

absolute-emc.com  
Phone: 703-774-7505  
info@absolute-emc.com

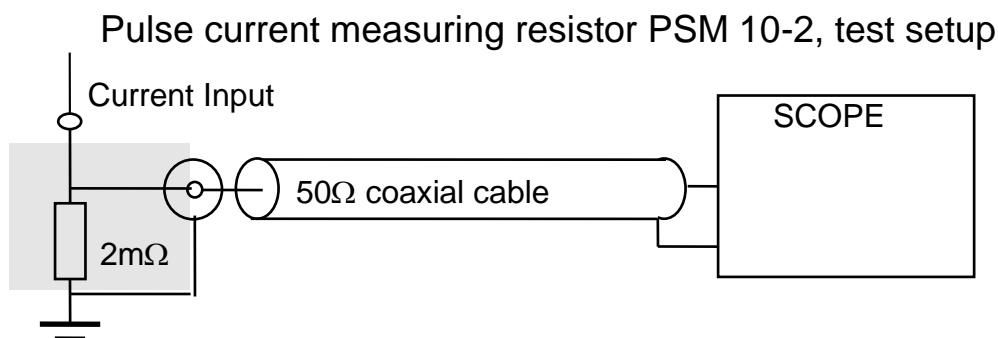
03/18  
Page 1 of 2  
www.hilo-test.de

The Surge Calibration Kit has been designed to measure the pulse output voltage and the pulse output current of surge generators, e.g. a combination wave generator. It essentially consists of a pulse voltage divider, a pulse current measuring resistor and a double shielded coaxial cable.

The Broad-band pulse voltage divider, type PVD 10-3 and the pulse current measuring resistor, PSM 10-2 are state-of-the-art measuring equipment whose excellent high-frequency transmission characteristics can be fully exploited only if properly operated and if all aspects typically encountered in the sub-microsecond time region, e.g. appropriate grounding, transmission line characteristics of leads, are fully considered.



Technical specification	PVD 10-3
Input voltage, 1.2 / 50 $\mu$ s wave form	12 kV max
Input power dissipation	2.5 W
Divider ratio	1000:1 $\pm$ 1%
Bandwidth	0 - 10 MHz
Rise time	< 35 ns



Technical specification	PSM 10-2
Input current, 8 / 20 $\mu$ s wave form	10 kA max
Input power dissipation	1.0 W
Measuring Resistance Value	2.0 m $\Omega$ $\pm$ 1%
Bandwidth	0 - 10 MHz
Rise time	< 35 ns

Sales Partner: