

VARISTOR-TESTER

PG 6-250

Combination wave generator:

Surge voltage:
1.2/50 μ s, 6 kV
Surge current:
8 / 20 μ s, 2.4 kA

+ Surge voltage
10 / 700 μ s
acc. to CCITT, ITU - T



The VARISTOR-TESTER PG 6-250 is a compact test generator for testing the surge current capability of varistors. The unit contains a combination wave generator and a surge voltage generator acc. to CCITT, ITU-T.

The surge voltage generator delivers standard impulse voltages with the waveform 10/700 μ s. The pulse output amplitude can be adjusted up to 4.8 kV.

The combination wave generator integrated, delivers a standard impulse voltage with waveform 1.2/50 μ s for high-impedance loads, $R_L > 100\Omega$, and delivers a standard impulse current with waveform 8/20 μ s for short-circuited output. The peak value of the impulse output voltage can be adjusted up to 6.3 kV.

In order to test different types of varistors, the pulse forming network can be switched to three different ranges, surge currents from 1 A up to 2.4 kA can be generated.

The VARISTOR-TESTER, PG 6-250, features a microprocessor controlled user interface and display unit for ease of use. The microprocessor allows the user to either execute standard test routines, or a 'user defined' test sequence. The test parameters, which are shown on the built in display, are easily adjusted by means of the rotary encoder. A standard parallel interface provides the ability to print a summary of the test parameters whilst testing is being carried out. Moreover all generator functions may be computer controlled via the isolated optical interface.

PG 6-250 is able to generate the specified pulse current amplitudes even if the test device is connected to the output. Regarding the current range for surge testing, the varistor can be described by a voltage source V_z in series with a variable resistor R_{dyn} . The series impedance and clamping voltage of test device influences the pulse current amplitude. The maximum pulse current amplitudes with a varistor, $V_z = 500V$, $R_{dyn} = 2.5-250 \Omega$, connected are noted in the data sheet. The software for remote control is able to calculate the parameter setting of the generator, depending on technical data of the varistor. Using the PU 10 switch unit allows successive testing of up to 10 devices, located on a PCB.

Technical specification	PG 6-250
Main frame:	
Microprocessor controlled LCD module	8*40 characters
Parallel printer interface for on-line documentation	25-way 'D' connector
Optical-interface for remote control of the generator	built-in
external trigger input: trigger-delay < 10µs	10 V an 1 kΩ
4 diagnosis inputs for monitoring of the test device	10 V an 1 kΩ
Connector for external safety interlock loop	24 V =
and external red and green warning lamps acc. to VDE 0104	230 V, 60W
Mains power	230 V, 50/60 Hz
Dimensions: desk top case W * H * D	471*180*410 mm ³
Weight	28 kg
Pulse forming network:	switch able
a) Combination wave generator	1.2 / 50 µs, 8/20µs
voltage wave, open circuit condition: front-time / tail-time	8 / 20µs±20%
charging voltage Vo, adjustable in steps of 25V	200 V - 6375 V ± 5%
current wave: front-time / tail-time	8 / 20µs±20%
pulse current amplitude, adjustable, via charging voltage available:	Vo - Vz
a1 PFN 1: pulse current amplitude: short circuit / Rdyn < 2.5Ω	2.4 kA / 1.2 kA
a2 PFN 2: pulse current amplitude: short circuit / Rdyn < 25Ω	180 A / 100 A
a3 PFN 3: pulse current amplitude: short circuit / Rdyn < 250Ω	16 A / 10 A
b) Surge voltage with waveform 10/700µs acc. to CITT K17/K22, IEC 1000-4-5	
charging voltage Vo, adjustable in steps of 25V	200 V - 5000 V ± 5%
energy storage capacitor	20µF/5.0 kV
max. energy stored	200 J
discharging resistor	50 Ω
series resistor	15 Ω
load capacitor	0.2 µF
damping resistor to the output terminal	25 Ω
wave form: front-time / tail-time	10/700µs ± 20%
pulse output polarity, selectable	pos/neg/alt
charging time	< 10 sec
pulse output connector	coaxial
Monitor output for pulse output voltage	ratio=100:1 ± 2%, 500Ω
Monitor output for pulse output current, switch able, Rm	10/100/1000 mΩ ± 2%
Option 1: Software PG 6-250, for remote control incl. 5 m fibre-optic cable and PC-interface	
Option 2: Peak detector, built-in, Display of peak values of voltage and current.	
Option 3: Control and connectors for Load Damp Generator 2803	
Option 4: Customer specific fixture on PU 10 for test samples	

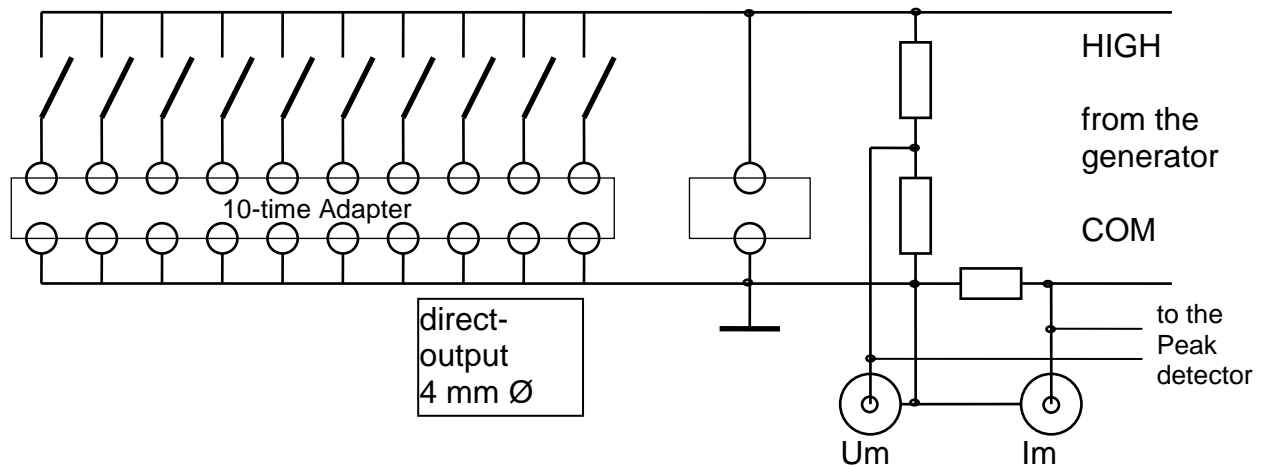
Test device switch unit

PU 10

built-in under the safety test cover, mounted on the test table.

- Switch unit for 10 test devices
- maximum test current: 1.2 kA, 8/20 μ s
- Adapter for test board, connected by contact pins.
- Impulse voltage divider integrated, BNC output for measuring the residual voltage of the test device with an external scope.
- Impulse current measuring resistor with BNC-output for external measurement.
- Impulse current measuring resistor connected to the internal peak detector, display of peak values, in conjunction with Option 2.
- Impulse voltage divider connected to the internal peak detector. Display of peak values, in conjunction with Option 2.
- Direct pulse output for testing single components, 4 mm \varnothing connectors.

Schematic:



- The complete unit can be simply replaced, if the contact pin's are damaged.

Technical specification	PU 10
Attention! Monitor output specification above is replaced by the following specification:	
Impulse voltage divider, built-in	100:1 \pm 2%, B = 100 kHz
Monitor output for external scope	BNC
Impulse current shunt, switch able:	
PFN 1	2 kA 10 m Ω , \pm 2%, 100 kHz
PFN 2	200 A 100 m Ω , \pm 2%, 100 kHz
PFN 3	20A 1.0 Ω , \pm 2%, 100 kHz
Monitor output for external scope	BNC
Accuracy of the internal peak detector	\pm 5% / full scale
incl. safety test cover, mounted on the test table	

Sales Partner:



ABSOLUTE EMC LLC.
Covering sales in North America
United States, Mexico, & Canada

absolute-emc.com
Phone: 703-774-7505
info@absolute-emc.com